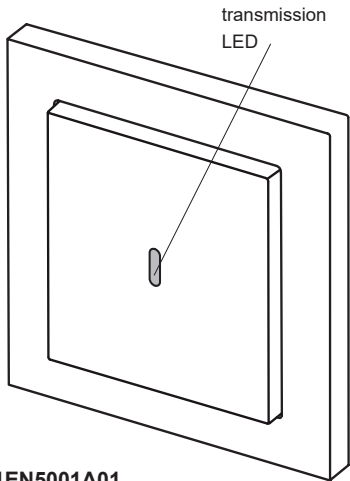


Model



Scope of delivery

Transmission module, battery CR2032, mounting plate, cover frame, adhesive pad, operating instructions

Intended use

The radio sensor may only be used to measure the ambient temperature and humidity and to transmit these values to an ELDAT smart home server.

The manufacturer shall not be liable for any damage caused by improper or non-intended use!

Safety instructions

Please read the operating instructions carefully before using the device!

- Also read the operating instructions for the devices to be controlled!
- Do not modify the devices!
- Have faulty devices checked by the manufacturer!
- Keep the batteries away from children!

Function

The temperature humidity sensor STH01 measures the temperature and relative humidity (RH) cyclically and sends these values to a compatible ELDAT smart home server.

After inserting the battery, the sensor is immediately ready for operation and the current measured values are transmitted via a radio telegram.

The current values are automatically transmitted every 10 minutes. The current values can also be sent manually by pressing the front button. The transmission LED lights up briefly during each transmission.

The sensor can be mounted in most cover frames with cut-out dimensions of 55x55mm.

Start-Up

1. Screw or stick the mounting plate to the installation site.
Attention! Make sure there is no interference with the wireless connection. Do not mount the device in a distribution box, in metal casings, in direct proximity to large metal objects, on the floor or close to it.
2. Insert the battery (C) into the transmission module (B2). The positive pole has to be visible!
3. Place the cover frame (D) onto the mounting plate (E) and snap the transmission module (B) onto the catches (F) on top and bottom. The arrow on the sensor module has to point upwards.
4. Snap the rocker (A) onto the transmission module (B).

Programming the transmission code

To program the sensor into the Smarthome server, please follow the instructions given in the app.

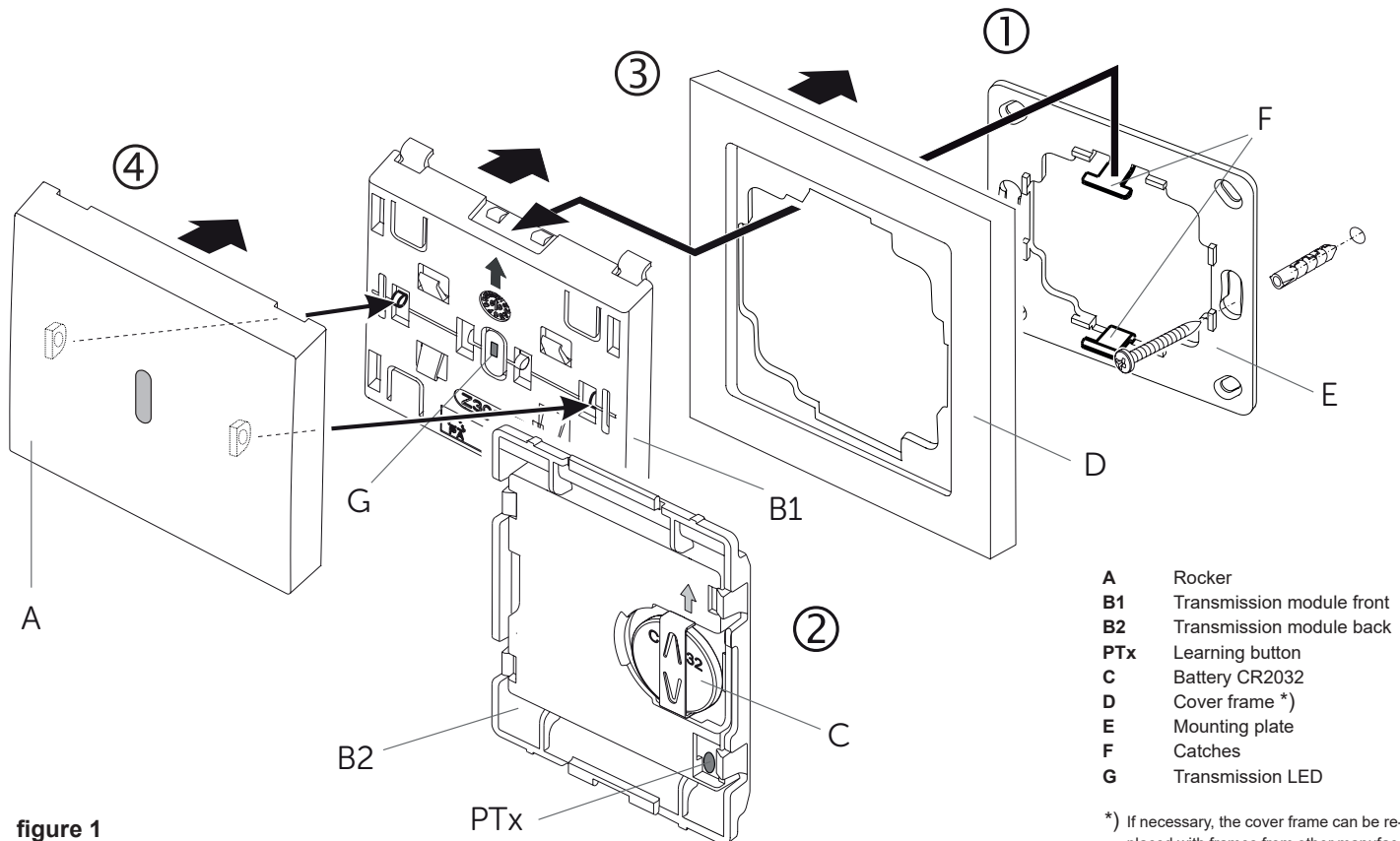
As soon as you are prompted to do so, press the rear learning button PTx to send the programming telegram.

You can then press the front button (A) to transmit the current measured values.

STH01EN5001A01

Technical details

Frequency:	868.30 MHz
Radiated power:	0.41 mW
Modulation:	FSK
Coding:	Easywave neo
Range:	free-field: approx. 150 m buildings: approx. 30 m
Power supply:	1x 3 V-battery, CR2032
Current consumption:	max. 20 mA
Standby current:	approx. 1.1 µA
Measuring range humidity:	20% to 80% RH ±5 % RH
Measuring range temperature:	0 °C to +60 °C ±1 °C
Measured value transmission:	every 10 min or at button operation
Operating temperature:	-20 °C to +60 °C
Dimensions (w/l/h):	
Cover	55/55/9.0 mm
Mounting plate	71/71/1.8 mm
Cover frame	80/80/9.4 mm
Weight:	49 g (incl. battery and cover frame)



- A Rocker
- B1 Transmission module front
- B2 Transmission module back
- PTx Learning button
- C Battery CR2032
- D Cover frame *)
- E Mounting plate
- F Catches
- G Transmission LED

*) If necessary, the cover frame can be replaced with frames from other manufacturers with a cutout size of 55x55 mm.

figure 1

Battery check

The transmitter STH01 has a battery check function, which checks the capacity of the battery during the transmission process.

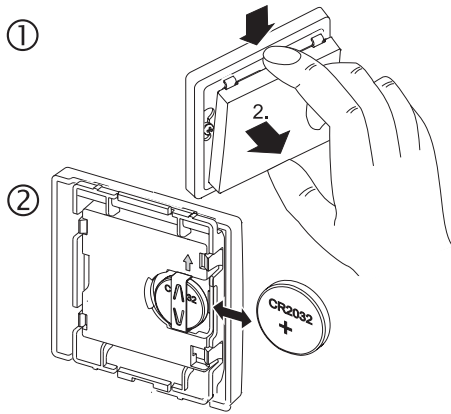
If the capacity of the battery is low, the transmission LED flashes every 10 minutes for 3 seconds and a data telegram is transmitted.

Replace the battery as soon as possible.

Replacing the battery

1. Lever off the transmission group.
2. Replace the battery. Only use batteries of the type CR2032. Make sure the polarity is correct. The positive pole has to be visible!
3. Place the transmission group back onto the catches.

Note: The coding of the transmitter is preserved even if there is no voltage supply. You do not need to program the code into the receiver again after a battery change.



Troubleshooting

If the radio receiver does not react to the STH01:

- Change the battery, if necessary.
- Check that the wireless connection at the installation site is not impaired between the STH01 and the receiver.
- Reprogram the transmission code into the receiver.
- Other wireless devices using the same frequency or working in direct proximity may interfere with the device.

General information

Disposal

Waste electronic equipment must not be disposed of with household waste!

Dispose of the waste product via collection facilities for electronic scrap or via your specialist dealer.

Dispose of used batteries in a recycling bin for batteries or via the specialist trade.

Dispose of packaging material in the recycling bins for cardboard, paper and plastic.



Warranty

Within the statutory warranty period we undertake to rectify free of charge by repair or replacement any product defects arising from material or production faults. Any unauthorized tampering with, or modifications to, the product shall render this warranty null and void.

Conformity



Hereby, ELDAT EaS GmbH declares that the radio equipment type STH01 is in compliance with Directive 2014/53/EU. The full text of the EU declaration of conformity is available at the following internet address: www.eldat.de

Customer service

If the device does not work properly despite proper handling or in case of damage, please contact the manufacturer or your retailer.

ELDAT EaS GmbH

Schmiedestraße 2

15745 Wildau

Germany

Phone: +49 3375 9037-310

Internet: www.eldat.de

E-mail: info@eldat.de