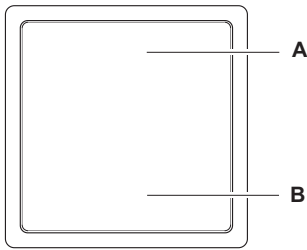
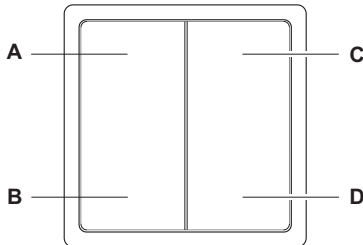


Model



RTS08E5002-01 1x ON/OFF 2 button operation



RTS08E5004-01 2x ON/OFF 2 button operation

Technical Data

Frequency:	868.3 MHz
Radiated power:	1.29 mW
Modulation:	FSK
Coding:	Easywave A/B, C/D EasywavePlus (PTx)
Power supply:	1x 3-V-battery, CR2032
Operating temperature:	-20 °C to +60 °C
Range:	free-field: approx. 150 m buildings: approx. 30 m
Degree of protection:	IP30
Dimensions:	80 x 80 x 10 mm
Weight:	approx. 47.0 g incl. Battery

Package Content

Mounting frame, transmission module incl. battery CR2032, rocker button(s), attachment set, operating instruction

Intended Use

Only use the Wall Switch RTS08 in dry indoor rooms to switch Easywave radio receivers.

The manufacturer shall not be liable for any damage caused by improper or non-intended use.

Safety Advice



Before using the wall switch, carefully read through the operating instructions!

Note also the operating instructions of the radio receiver(s)!

The Wall Switch should only be operated within sight of the devices to be controlled! Otherwise persons could be placed in danger!

Have faulty Wall Switches checked by the manufacturer!

Do not make any unauthorized alterations or modifications to the Wall Switch!

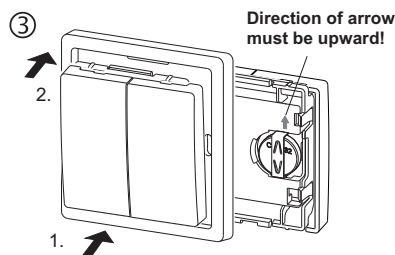
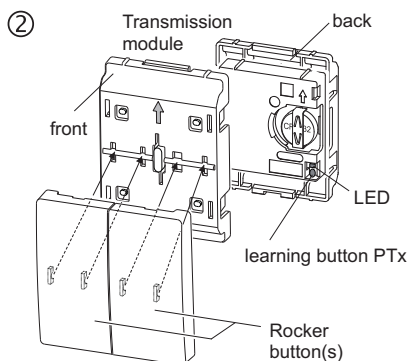
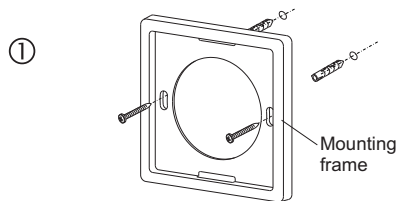
Function

The RTS08 is a radio wall switch for surface mounting in dry rooms. The Easywave code is transmitted by pressing the switch and the connected Easywave radio receivers are switched.

With the learning button PTx you can bring an Easywave radio receiver into the programming mode. This requires that the receiver supports this feature. Please read the operating instructions supplied with the receivers.

Start-Up

1. Screw or stick the attachment frame to the installation site with the screws and dowels or the adhesive pads.
Caution: Make sure that there is no interference with the wireless connection. Do not mount the device in a distribution box, metal casings, in direct proximity to large metal objects, on the floor or close to it.
2. Plug the snaps of the rocker button onto the transmission module. With the one-piece rocker button, the small recess in the casing edge must point downwards.
3. First snap the assembled transmission group in on the bottom and then on the top of the attachment frame. **The arrow on the back of the transmission module must point upwards.**
4. Register the transmission code with the wireless control. Please read the operating instructions supplied with the radio revers.



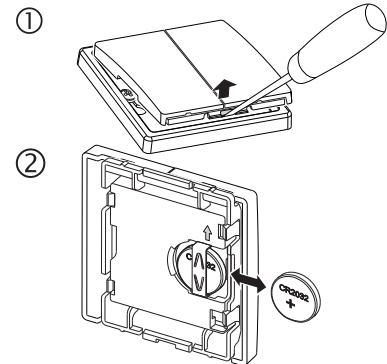
Troubleshooting

If the radio receivers does not react to the wall switch:

- Exchange the battery.
- Check that the wireless connection at the installation site is not impaired between the wall switch and the receiver.
- Re-register the transmission code with the receiver.
- Other wireless devices using the same frequency or working in direct proximity may interfere with the device.

Replacing the Battery

1. Carefully lever off the transmission group out of the mounting frame on the bottom edge.
2. Replace the battery. Only use batteries of the type CR2032. **Make sure the polarity is correct!**
3. Re-insert the transmission group into the mounting frame.



Note: The transmitter's coding is preserved even if there is no voltage supply. You do not need to re-register the code with the receiver after a battery change.

Disposal

Waste electrical products and batteries not be disposed of with household waste!

Dispose of the waste product via a collection point for electronic scrap or via your specialist dealer.

Dispose of used batteries in a recycling bin for batteries or via the specialist trade.

Put the packaging material into the recycling bins for cardboard, paper and plastics.



Warranty

Within the statutory warranty period we undertake to rectify free of charge by repair or replacement any product defects arising from material or production faults.

Any unauthorized tampering with, or modifications to, the product shall render this warranty null and void.

Conformity



Hereby, ELDAT EaS GmbH declares that the radio equipment type RTS08 is in compliance with Directive 2014/53/EU.

The full text of the EU declaration of conformity is available at the following internet address: www.eldat.de

Customer Service

If, despite correct handling, faults or malfunctions occur or if the product was damaged, please contact the company at the address below:

ELDAT EaS GmbH
Schmiedestraße 2
15745 Wildau
Germany

Phone: + 49 (0) 33 75 / 90 37-310

Fax: + 49 (0) 33 75 / 90 37-90

Internet: www.eldat.de

E-mail: info@eldat.de