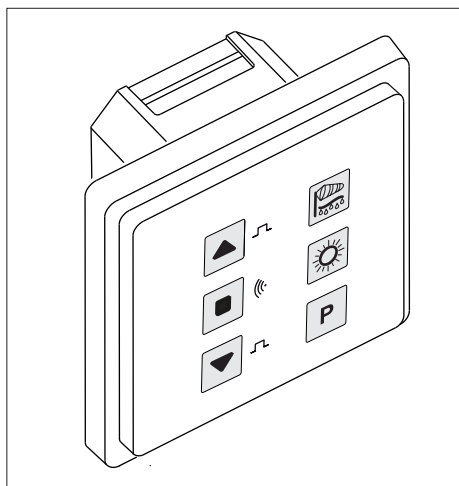


**Model**



RCJ05E5001-01

868.30 MHz

**Scope of Delivery**

Control RCJ05, Radio receiver RCJ05, pin connector, attachment set, operating instruction

**Technical Details**

Frequency:	868.30 MHz
Modulation:	FSK
Coding:	Easywave A/B/C/D
Sensorabfrage:	EasywaveSens
Statusmeldung:	EasywavePlus „Markise“
Power supply:	230 V AC / 50 Hz
Motor running time of drive:	adjustable, factory setting 2 min
Connected load:	4 VA
Power consumption:	1,3 W
Output:	2 powered relay contacts (normally open) Min. switching time of 1 s
Max. contact load:	
- ohmic load cos = 1:	5,0 A / 1.150 VA
- inductive load cos = 0,8:	4,0 A / 920 VA
Degree of category:	IP20
Operating temperature:	only for dry rooms, 0°C to +40°C
Dimensions:	80 x 80 x 45 mm
Weight:	127 g

**Safety Advice**



Please read these instructions carefully before using the device!

**Attention! The electrical installation work must be carried out by a qualified electrician only!**

Observe the valid laws and regulations as well as the manufacturer's instructions for the devices to be operated!

Have malfunctioning devices checked by the manufacturers!

Do not make any unauthorized alterations or modifications to the unit!

The relay contact is designed for connection to a single-phase power supply only!

Do not extend the awning in strong winds in emergency operation mode. You could injure yourself and permanently damage the awning.

**Intended Use**

The junction box awning receiver RCJ05 may only be used as a Easywave radio control for controlling motors for awnings.

The manufacturer will not be liable for damage caused by improper or inappropriate use.

**Functionen**

The Control 425 unit is a remote control for the automatic or manual operation of awnings.

Automatic control is achieved using Easywave weather sensors for:

- Wind (SW01),
- Wind-Sun (SWS01) or
- Wind-Sun-Rain (SWSR01).

Either a wired or a remote weather sensor can be connected to the control unit.

The manual control is achieved on the control unit using the OPEN, STOP or CLOSE button or using an Easywave transmitter with 3-button controls.

The control controlled following weather situations:

**Wind**

The wind function is always active if a weather sensor has been programmed into the control unit. If the wind force exceeds the threshold value programmed in the weather sensor unit, the awning is automatically retracted.

**Rain**

The rain function is active if a weather sensor with a rain function has been programmed into the control unit. If the weather sensor reports "rain", the awning is automatically retracted.

The rain function could be switched off for maintenance, to control the awning manually.

**Sun**

The sunlight function is active if a weather sensor with a light sensor has been programmed into the control unit. If the light intensity exceeds the threshold value programmed in the weather sensor unit, the awning is automatically extended. If the light intensity falls below this value, the awning is automatically retracted.

The control unit also performs the following functions:

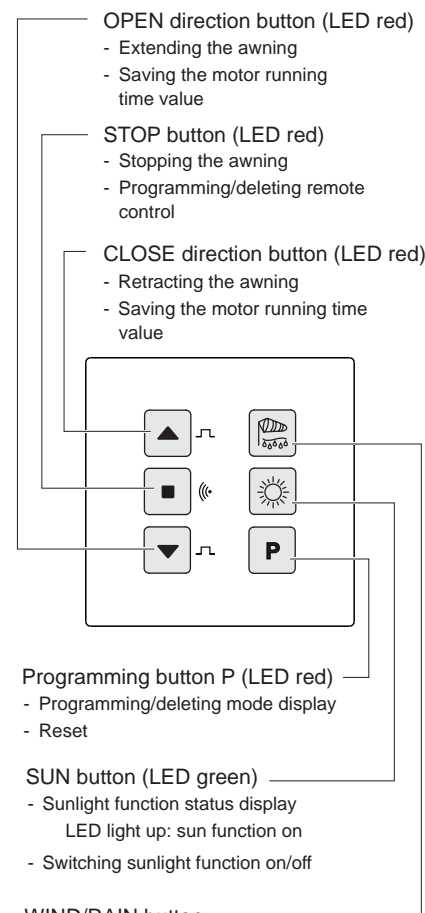
**Saving the motor running time value**

Different motor running times are required depending on the size of the awning. The running time can be measured and saved in the awning control unit.

**Gastro-Funktion**

The gastronomy function is a special awning control function which automatically extends the awning if it rains, so that guests on the patio are sheltered.

**Display**



**Putting the receiver into service**

**Table of contents**

**A Putting the receiver into service** ..... 2

**A1** Installing and connecting. .... 2

**A2** Programming the weather sensor ..... 2

**A3** Programming the remote control. .... 2

**A4** Saving the motor running time ..... 2

**B Operating the awning control** ..... 2

**B1** Wind function. .... 2

**B2** Rain function ..... 2

**B3** Sunlight function ..... 3

**B4** Gastronomy function ..... 3

**B5** Manual operation of the awning ..... 3

**B6** Emergency operation ..... 3

**C Delete function** ..... 3

**C1** Deleting the programmed weather sensor ..... 3

**C2** Deleting remote controls ..... 3

**C3** Deleting the programmed motor ..... 3

**C4** Resetting to the factory settings (Reset) ..... 4

**D Faults** ..... 4

**E Quick User Guide** ..... 4

**F General information** ..... 4

## A Putting the receiver into service

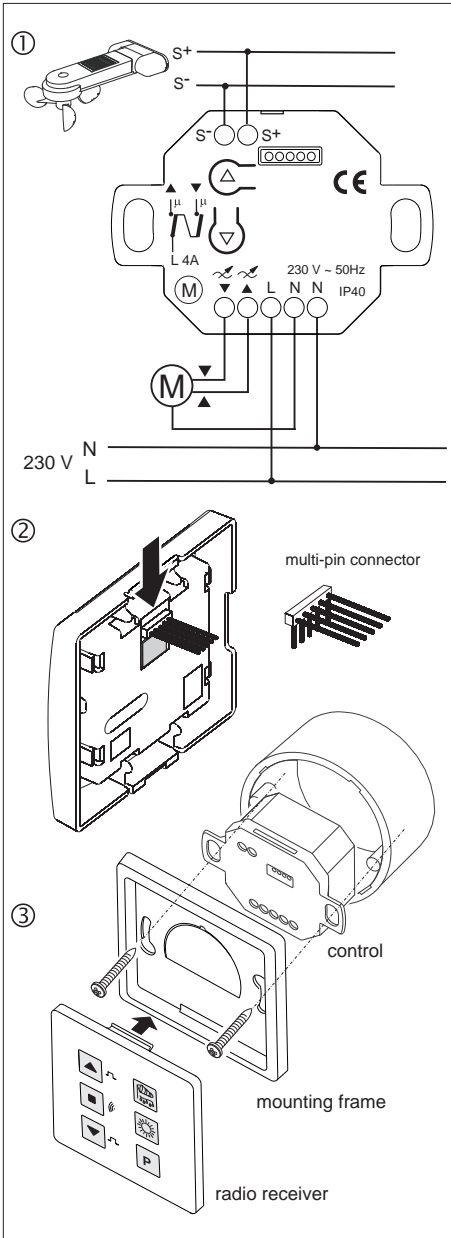
### A1 Installing/connecting the control

1. Turn the mains supply voltage off. Connect the cables for the power supply and the awning motor to the control unit as shown in the connection diagram. The PE (protective earth) connection of the mains cable must be connected externally to the PE connection of the drive. Use terminals S+ and S- if you wish to connect a wired weather sensor.
2. Plug in the 5-pole pin connector supplied to the connection socket on the rear of the receiver.
3. Insert the control unit into the junction box and screw this firmly to the mounting frame. Plug in the receiver with the 5-pole pin connector straight into the connection socket on the control unit and ensure that the receiver engages securely in the mounting frame.

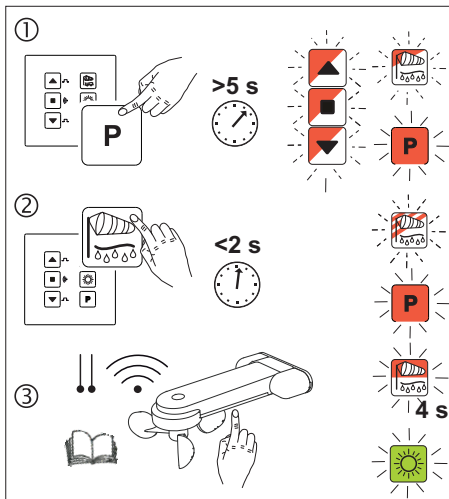
Switch the supply voltage on. All buttons light up briefly one after the other. The awning can now be operated using the OPEN, STOP and CLOSE buttons.

The WIND/RAIN and SUN buttons flash as the weather sensors have not yet been programmed in.

Now transfer the programming codes of the weather sensor to the control unit.

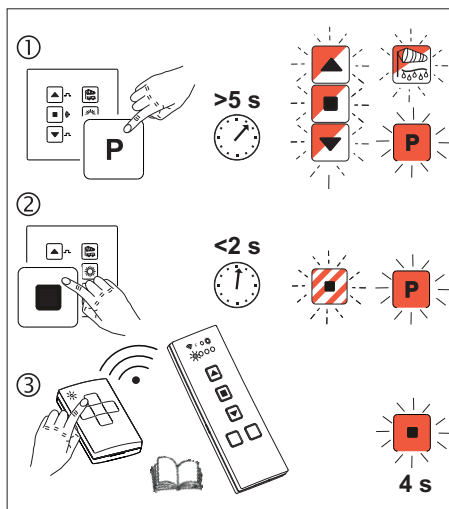


### A2 Programming the weather sensor



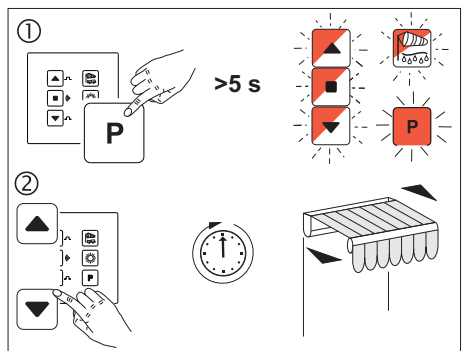
1. Hold button P pressed until the WIND/RAIN and OPEN/STOP/CLOSE buttons start to flash alternately. Button P lights up.
2. Press the WIND/RAIN button briefly. The button flashes rapidly and button P lights up.
3. Then, within 60 seconds, press and release the "prog" transmitter button of your sensor. The transmission code is transferred. The WIND/RAIN button will go out after four seconds and the SUN button will light up. The sensor has now been programmed in and all the weather functions are available for use.

### A3 Programming the transmitter



1. Hold button P pressed until the WIND/RAIN and OPEN/STOP/CLOSE buttons start to flash alternately. Button P lights up.
2. Press the STOP button briefly. The button flashes rapidly and button P lights up.
3. Then, within 60 seconds, press and release the button(s) of your Easywave transmitter. The transmission code is then transferred. After approx. 4 seconds, the STOP button goes out and the awning can be operated via the remote control or the status of the weather function can be requested. Up to 32 transmission codes can be programmed.

### A4 Saving motor running time value



Depending upon the size of the awning, different motor running times are required for fully retracting and extending the awning. This time can be measured and saved in the control unit.

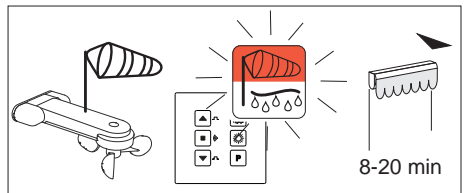
1. Hold button P pressed until the WIND/RAIN and OPEN/STOP/CLOSE buttons start to flash alternately. Button P lights up.
2. Hold the OPEN or CLOSE direction buttons pressed for the entire time that the awning is extended or retracted.
3. Release the button. The running time is saved.



If wind or rain thresholds have been exceeded, it is not possible to measure the running time for the extension of the awning.

## B Operating the awning control

### B1 Wind function

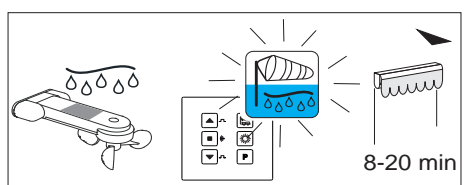


The wind function is active once a weather sensor has been programmed. This function takes priority over all other weather functions and cannot be disabled.

If the wind speed exceeds the threshold value programmed in the sensor, the awning will be retracted. The WIND/RAIN button lights up red until the wind cycle has been completed.

If the wind speed falls below the threshold value, a lock-out period of approximately 8 to 20 minutes must expire before the awning can be extended again manually or the controls can respond to rain or sun signals.

### B2 Rain function



The rain function can be used as soon as a weather sensor with a rain detection feature has been programmed in, provided that the "gastronomy" function has not been switched on at the weather sensor.

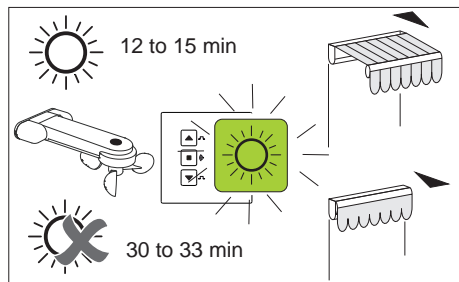
By pressing the WIND/RAIN button, the rain function can be switched off and the button flashes blue.

If a rain signal is received from the weather sensor, the awning is retracted and the WIND/RAIN button lights up blue until the rain cycle has been completed.

## B Operating the awning control

If the control unit receives a rain signal from the weather sensor, the awning will be retracted. Once the rain alarm is over, a lock-out period of approximately 8 to 20 minutes must expire before the awning can be extended again manually bzw. ist die Sonnenfunktion wieder nutzbar.

### B3 Sunlight function



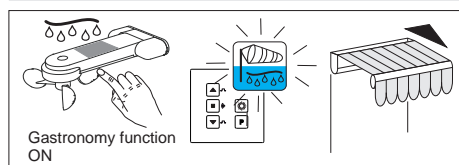
The sunlight function is active if a weather sensor with a brightness sensor has been programmed into the control unit. The sunlight function can be switched on or off using the SUN button.

If the level of brightness exceeds the set threshold value for a period of 12 to 15 minutes, the awning will be extended. If a wind or rain threshold has been exceeded, it will not be possible to extend the awning until the lock-out period has expired.

If the level of brightness drops below the set threshold value for a period of 30 to 33 minutes, the awning will be retracted.

These times for delaying the extension and retraction operations are necessary in order to prevent the awning from being constantly extended and retracted in rapidly changing light conditions.


### B4 Gastronomy function



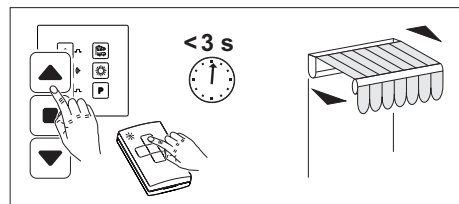
The gastronomy function can only be used in combination with a weather sensor that has a rain detection feature and an activated gastronomy function.

If a rain signal is received from the weather sensor, the awning is extended automatically if it rains and the button lights up blue. If no rain further rain signals are transmitted and the level of brightness remains below the threshold level for 30 to 33 minutes, the awning is automatically retracted.

The gastronomy function can be disabled by pressing the WIND/RAIN button or SUN button, the WIND/RAIN button lights up blue, the SUN button goes off. Note that if the gastronomy function is interrupted, then the sunlight function is no longer available.

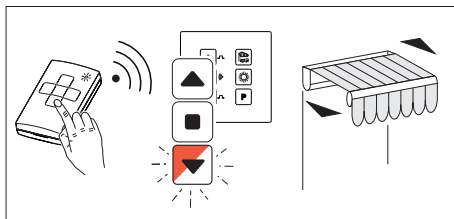
 Only awnings that are specially designed for use in rain may be operated using the gastronomy function.

### B5 Manual operation of the awning

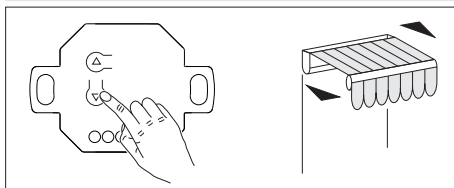


To control the awning, briefly press one of the OPEN/STOP or CLOSE direction buttons on the receiver. The awning moves in the desired direction or can be stopped.


The awning control unit can be operated using aRT37 status transmitter or using other Easywave transmitters with three-button controls. If the awning is operated with a remote control, the relevant direction button on the control unit flashes.



### B6 Emergency operation

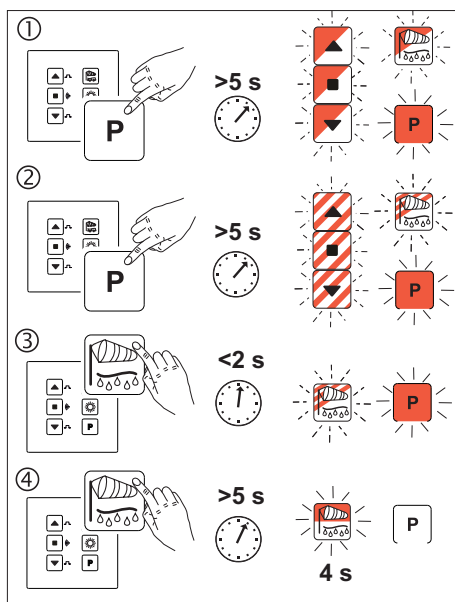


In order to carry out maintenance and repair work, an emergency manual operating mode on the control unit can be used for operating the awning.

 The wind function is no longer active when the manual mode is used. Do not extend the awning in strong winds. You could injure yourself and permanently damage the awning.

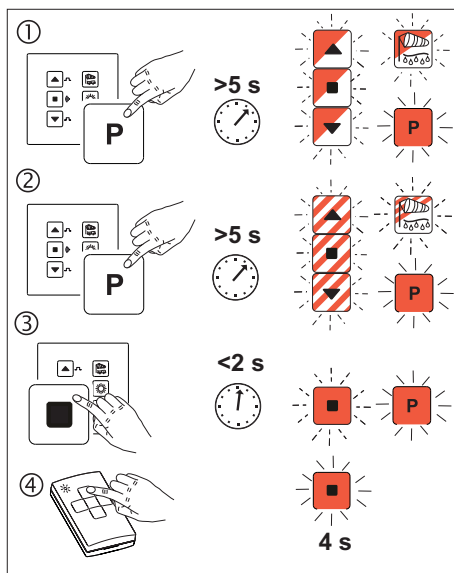
## C Delete function

### C1 Deleting weather sensor



1. Hold button P pressed until the OPEN/STOP/CLOSE and WIND/RAIN buttons start to flash alternately. Button P lights up.
2. Press button P again and hold. The OPEN/STOP/CLOSE and WIND/RAIN buttons flash rapidly. Button P lights up.
3. Press the WIND/RAIN button briefly. The button flashes rapidly and button P lights up.
4. Press the WIND/RAIN button and hold. Button P is off and the WIND/RAIN button goes out after 4 seconds. The sensor transmission code has been deleted.

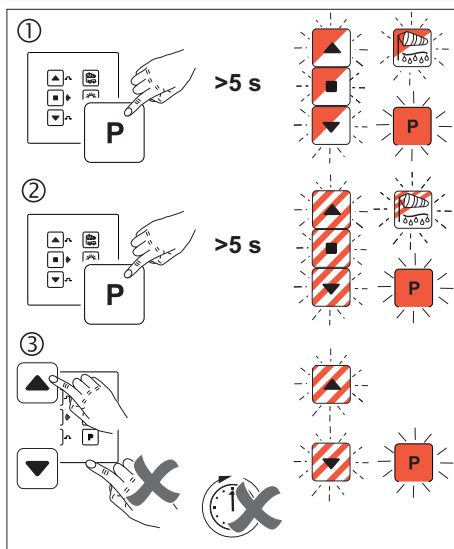
## C2 Deleting remote controls



1. Hold button P pressed until the OPEN/STOP/CLOSE and WIND/RAIN buttons start to flash alternately. Button P lights up.
2. Press button P again and hold. The OPEN/STOP/CLOSE and WIND/RAIN buttons flash rapidly. Button P lights up.
3. Press the STOP button briefly. The button flashes rapidly and button P lights up.
4. Then, within 10 seconds, press and release the button of your transmitter. The STOP button goes out after 4 seconds. The sensor transmission code has been deleted.

If you wish to delete all transmitters, proceed as described in steps 1 to 3, and in step 4 press and hold the STOP button again.

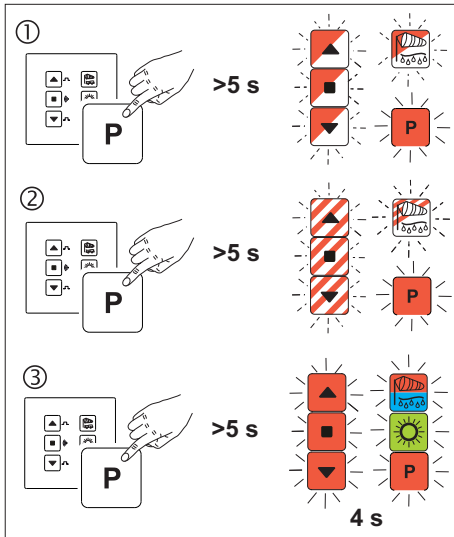
### C3 Deleting the motor running time



1. Hold button P pressed until the OPEN/STOP/CLOSE and WIND/RAIN buttons start to flash alternately. Button P lights up.
2. Press button P again and hold. The OPEN/STOP/CLOSE and WIND/RAIN buttons flash rapidly. Button P lights up.
3. Press the OPEN or CLOSE button and hold. The buttons flash rapidly and button P lights up. Release the button. All buttons go out and the running time has been deleted.



## C4 Resetting to the factory settings (Reset)



**!** If a reset is carried out, the codes of all remote controls and weather sensors as well as the saved motor running time are deleted. The weather functions are then no longer active.

1. Hold button P pressed until the OPEN/STOP/CLOSE and WIND/RAIN buttons start to flash and button P lights up.
2. Press button P again and hold. The OPEN/STOP/CLOSE and WIND/RAIN buttons flash rapidly. Button P lights up.
3. Press button P again and hold. All buttons go out after approximately 4 seconds. The factory settings have now been reinstated.

## D Faults

**Programmed weather sensor is not working** (radio interference or faulty sensor cable, power failure to sensor): The awning is automatically retracted. Depending upon the type of sensor, the buttons corresponding to the protective functions flash until the fault has been rectified.

**Control unit is not working** (no supply voltage): If the OPEN button does not light up red if it is pressed, then there is no voltage supply to the control unit. Check the electrical connections.

**Direction button does not flash when manually operated with remote control:** Check the radio link. Read in the remote control code again if necessary, or change the battery in the remote control.

## F General Information

### Disposal

**Waste electrical products should not be disposed of with household waste!**

Dispose of the waste product via a collection point for electronic scrap or via your specialist dealer.



Put the packaging material into the recycling bins for cardboard, paper and plastics.



### Warrenty

We will remedy defects on the device based on material or production errors within the statutory warranty period or exchange the device.

## E Quick User Guide

Function / Chapter	Operation [press button*]	RCJ05 LED display	Action
Programming weather sensors (wireless or wired) <b>A2</b>	1. Press P button and hold (>5 seconds)	OPEN, STOP, CLOSE, WIND buttons flash, P button lights up	Ready for programming or after 60 seconds ready for operation
	2. Press WIND button briefly	WIND button flashes rapidly	Program mode
	3. Press "prog" sensor button	WIND button lights up for 4 seconds	Sensor code programmed
Programming radio transmitters <b>A3</b>	1. Press P button and hold (>5 seconds)	OPEN, STOP, CLOSE, WIND buttons flash, P button lights up	Ready for programming or after 10 seconds ready for operation
	2. Press STOP button briefly	STOP button flashes rapidly	Program mode
	3. Press transmitter button	STOP button lights up for 4 seconds	transmitter code programmed
Saving motor running time <b>A4</b>	1. Press P button and hold (>5 seconds)	OPEN, STOP, CLOSE, WIND buttons flash, P button lights up	Ready for operation after 10 seconds
	2. Press OPEN or CLOSE button until awning has reached end position	OPEN or CLOSE button lights up	Program mode
	3. Release OPEN or CLOSE button	OPEN or CLOSE button off	Running time saved
Wind function <b>B1</b>		WIND/RAIN buttons light up red	Lock-out period for wind signals 8-20 minutes
Rain function <b>B2</b>		WIND/RAIN buttons light up blue	Lock-out period for rain signals 8-20 minutes
	Press WIND/RAIN button briefly (for 1 second)	WIND/RAIN button flashes blue	Rain function switched off, awning can be extended or retracted
Sun function <b>B3</b>		SUN button light up green	Sensor programmed, sunlight function switched on
	Press SUN button briefly (<2 s)		Switch sun protection on/off
Gastronomy function <b>B4</b>	Press WIND/RAIN button briefly (<2 seconds) Press "prog" sensor button briefly	WIND/RAIN button flashes blue	Rain function switched off, awning extended automatically if rain signal received
Deleting weather sensors (wireless or wired) <b>C1</b>	1. Press P button and hold (>5 seconds)	OPEN, STOP, CLOSE, WIND buttons flash, P button lights up	Ready for deleting or after 60 seconds ready for operation
	2. Press P button and hold (>5 seconds)	OPEN, STOP, CLOSE, WIND button flashes, P button lights up	Delete mode
	3. Press WIND/RAIN button briefly (<2 seconds)	WIND button flashes rapidly, P button lights up	Delete mode
	4. Press WIND/RAIN button and hold (>3 seconds)	WIND button lights up for 4 seconds, P button off	Sensor code deleted
Deleting radio transmitters <b>C2</b>	1. Press P button and hold (>5 seconds)	OPEN, STOP, CLOSE, WIND buttons flash, P button lights up	Ready for deleting or after 10 seconds ready for operation
	2. Press P button and hold (>5 seconds)	OPEN, STOP, CLOSE, WIND button flashes, P button lights up	Delete mode
	3. Press STOP button briefly (<2 s)	STOP and P button lights up	Delete mode
	4. Press sensor button or Press STOP button and hold (>5 seconds)	STOP button lights up for 4 seconds	Transmitter code deleted
Deleting motor running time <b>C3</b>	1. Press P button and hold (>5 seconds)	OPEN, STOP, CLOSE, WIND buttons flash, P button lights up	Ready for deleting or after 10 seconds ready for operation
	2. Press P button and hold (>5 seconds)	OPEN, STOP, CLOSE, WIND buttons flash rapidly, P button lights up	Delete mode
	3. Press OPEN or CLOSE button	OPEN and CLOSE button flash rapidly, P button lights up	Delete mode
	4. Release OPEN or CLOSE button		Running time deleted
Reinstating the factory settings (RESET) <b>C4</b>	1. Press P button and hold (>5 seconds)	OPEN, STOP, CLOSE, WIND buttons flash, P button lights up	Ready for deleting or after 10 seconds ready for operation
	2. Press P button and hold (>5 seconds)	OPEN, STOP, CLOSE, WIND buttons flash rapidly, P button lights up	Delete mode
	3. Press P button and hold (>5 seconds)	All buttons light up for 4 seconds	All codes deleted, motor running time deleted

\* If no button is pressed, the control unit reverts to standby mode after 60 seconds (programming/deleting weather sensors) or 10 seconds (all other procedures). Press button P to cancel programming/deleting procedures.

### Customer Service

If the device does not work properly despite proper handling or in case of damage, please contact your retailer.

**ELDAT GmbH**  
Im Gewerbepark 14  
15711 Königs Wusterhausen  
Germany

Phone: + 49 (0) 33 75 / 90 37-310  
Fax: + 49 (0) 33 75 / 90 37-90  
Internet: [www.eldat.de](http://www.eldat.de)  
E-Mail: [info@eldat.de](mailto:info@eldat.de)

### Conformity

The product fulfils the essential requirements of the R&TTE directive 1999/5/EG.



For application in: EU/CH/FL/IS/N

The Declaration of Conformity can be found on the internet at: [www.eldat.de](http://www.eldat.de).